



Wall hanging brackets



Leva, the FGV wall hanging brackets line, offers simplicity and immediacy, harmony and functionality: all the characteristics of a reliable solution for fixing a cabinet. The range differs according to the fixing system: with screws or dowels, to the assembling system, hidden or visible (also available cover plates in a large range of colours and finishes), and to a wide range of adjustments allowing an ideal use in any condition and furniture.

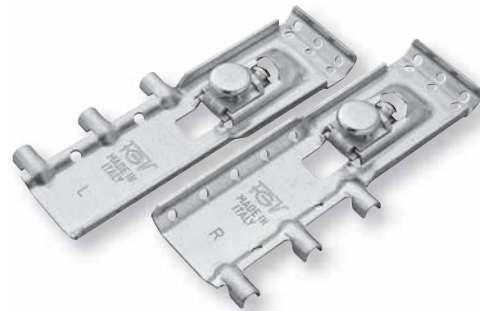


Leva 740



Concealed wall hanging bracket fastened to the back of the cabinet

- 2 fixing options: with Ø10 dowels or with self-tapping screws
- Reduced installation space only 15mm
- Higher holes for additional security screws
- Moulded adjustment pins to avoid accidental dismounting
- Cover: Ø35 round and oval
- For fixing bars see page 164



Oval cover cap.

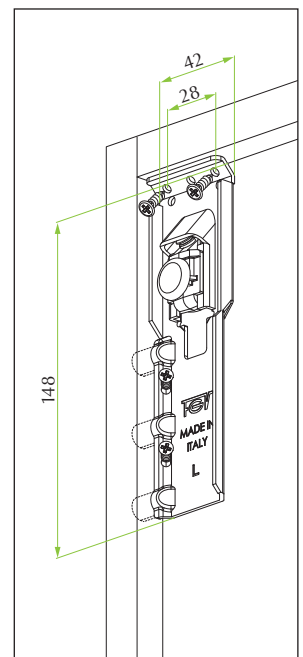
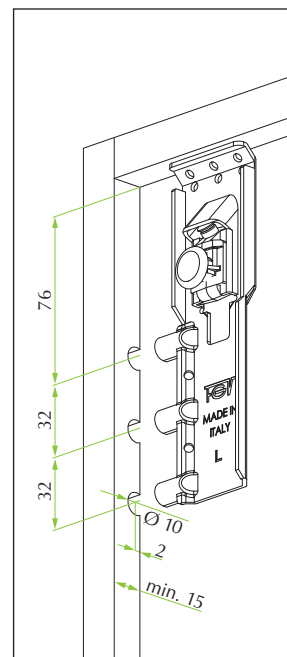
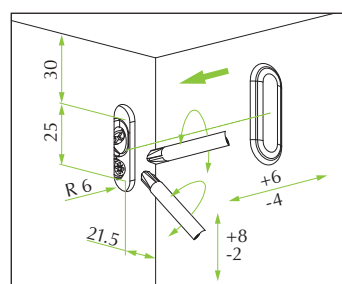
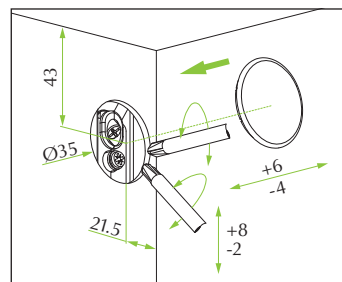
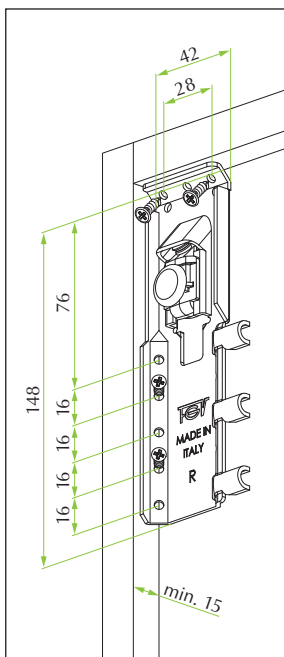


Round cover cap.

Code	Description	Packing
53.C740.07.01.000	Wall hanging bracket Leva 740 – right	100 pieces
53.C740.07.02.000	Wall hanging bracket Leva 740 – left	100 pieces
53.07C3.**.00.000	Cover cap in nylon – round shape	400 pieces
53.07CS.**.00.000	Cover cap in polystyrene – oval shape	200 pieces

** Colour code: A1 = White RAL 9010 / A2 = Brown RAL 8016 / C6 = Grey RAL 7004 / 01 = Painted matt aluminium. Other colours on request.

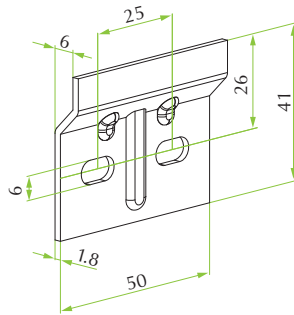
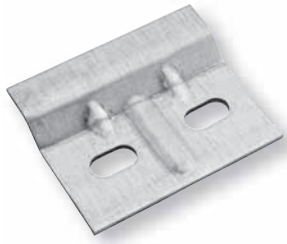
Drilling position & adjustments



Wall hanging bracket plates & bars

Plate 027

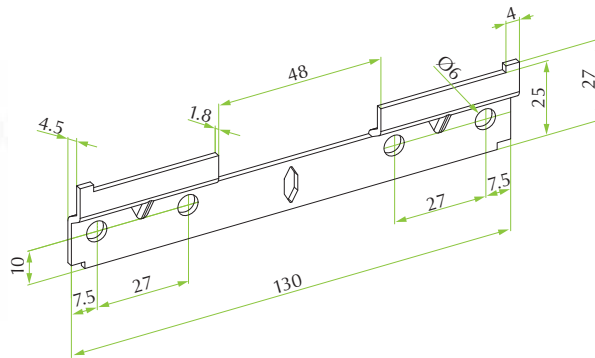
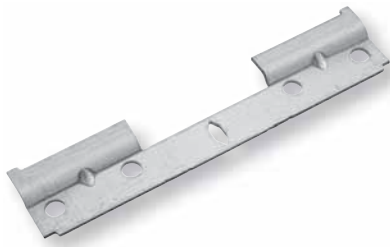
Wall hanging bracket plate of 50mm. 1.8mm of thickness. EN15939 Certification.



Code	Description	Packing
22.0027.07.005CF	027 wall hanging bracket plate	500 pieces Finish: zinc.

Plate 028

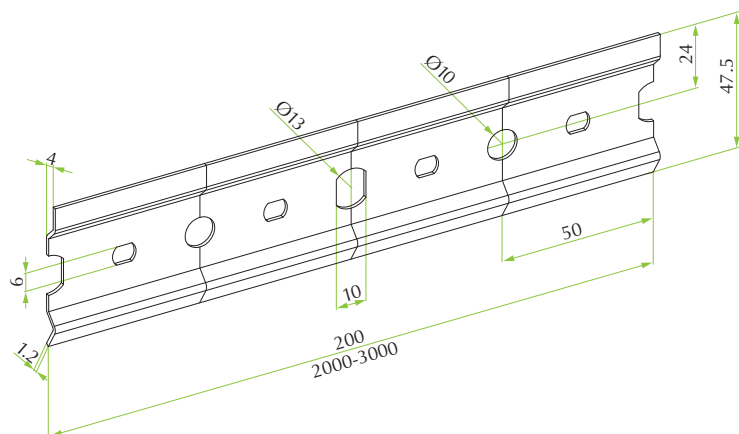
Wall hanging bracket double plate of 130mm. 1.8mm of thickness. Precut for application with side cabinets. EN15939 Certification.



Code	Description	Packing
53.0700.07.13000	028 wall hanging bracket plate	500 pieces Finish: zinc.

Bar 029

Wall hanging bracket bar. Drilling and pre-cutting arrangement with 50mm pitch. UNI10768 Certification. Available different lengths.



Code	Description	Packing
53.0029.07.02000	029 wall hanging bracket bar 200mm	200 pieces
53.0029.07.10000	029 wall hanging bracket bar 1000mm	10 pieces
53.0029.07.15000	029 wall hanging bracket bar 1500mm	10 pieces
53.0029.07.20000	029 wall hanging bracket bar 2000mm	10 pieces
53.0029.07.30000	029 wall hanging bracket bar 3000mm	10 pieces

Finish: zinc.