

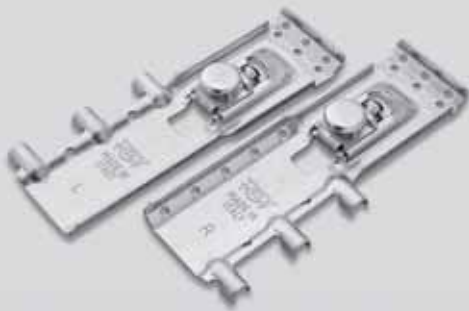


# *Wall hanging brackets*

---



**Leva**, the FGV wall hanging brackets line, offers simplicity and immediacy, harmony and functionality: all the characteristics of a reliable solution for fixing a cabinet. The range differs according to the fixing system: with screws or dowels, to the assembling system, hidden or visible (also available cover plates in a large range of colours and finishes), and to a wide range of adjustments allowing an ideal use in any condition and furniture.

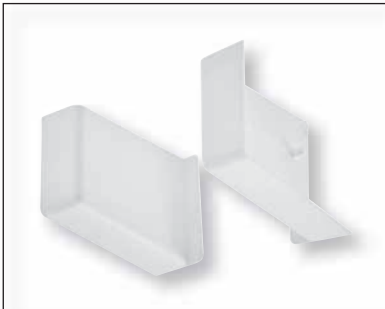
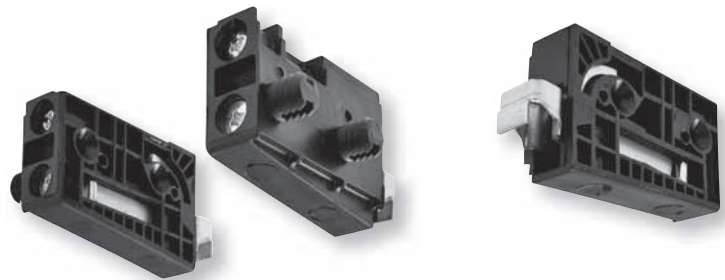


# Leva 709



## Wall hanging bracket fixing machine version

- Fixing with Ø10 dowels for automatic machine
- Made in high-strength nylon
- Symmetrical hook with pre-blocked adjustment
- Front adjustment easy to access
- In&Out adjustment with special screw to avoid accidental dismounting
- Covers in a wide range of colours
- For fixing bars see page 164

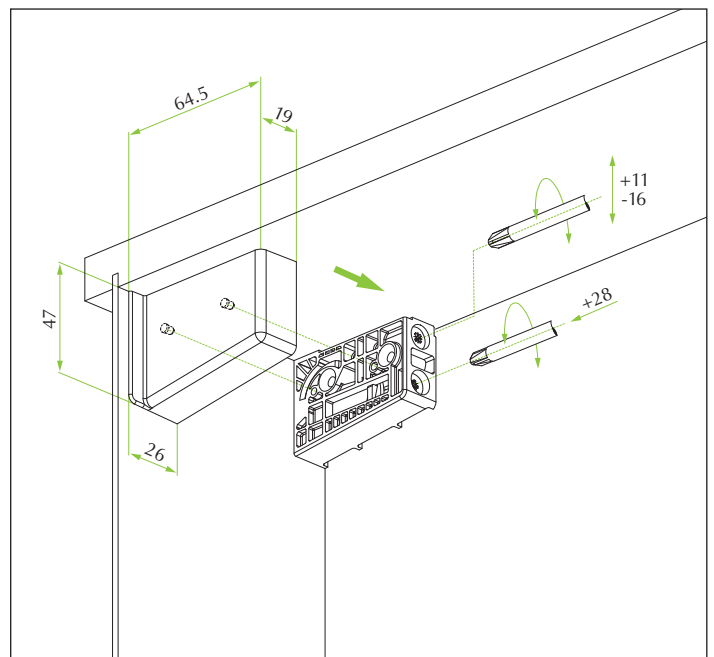
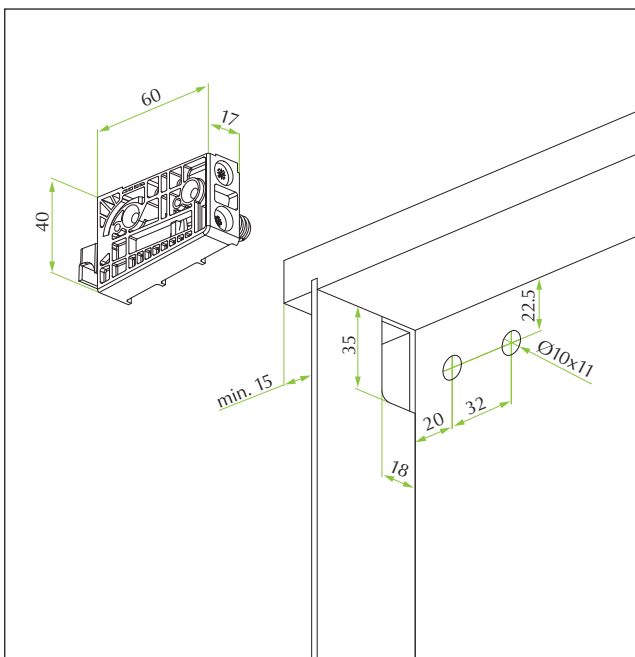


Cover.

Code	Description	Packing
53.0709.03.01.0R100	Wall hanging bracket Leva 709 – right	250 pieces
53.0709.03.02.0R100	Wall hanging bracket Leva 709 – left	250 pieces
<i>Colour finish: Black.</i>		
53.07C4.**.01.000	Cover in polypropylene – right	250 pieces
53.07C4.**.02.000	Cover in polypropylene – left	250 pieces

\*\* Colour code: A1 = White RAL 9010 / A2 = Brown RAL 8016 / C6 = Grey RAL 7004.

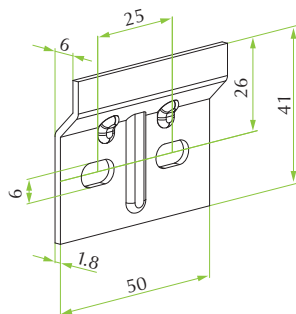
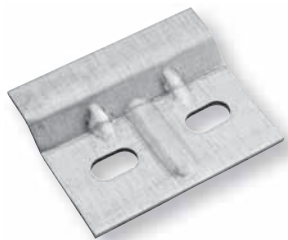
## Drilling position & adjustments



# Wall hanging bracket plates & bars

## Plate 027

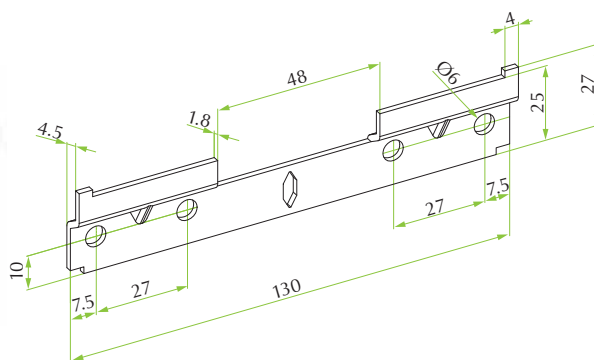
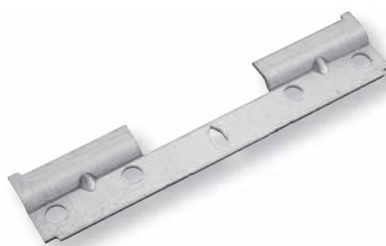
Wall hanging bracket plate of 50mm. 1.8mm of thickness. EN15939 Certification.



Code	Description	Packing
22.0027.07.005CF	027 wall hanging bracket plate	500 pieces <i>Finish: zinc.</i>

## Plate 028

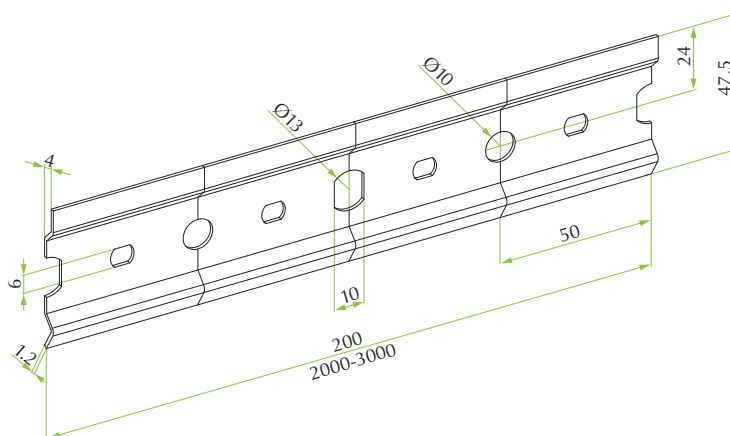
Wall hanging bracket double plate of 130mm. 1.8mm of thickness. Precut for application with side cabinets. EN15939 Certification.



Code	Description	Packing
53.0700.07.13000	028 wall hanging bracket plate	500 pieces <i>Finish: zinc.</i>

## Bar 029

Wall hanging bracket bar. Drilling and pre-cutting arrangement with 50mm pitch. UNI10768 Certification. Available different lengths.



Code	Description	Packing
53.0029.07.02000	029 wall hanging bracket bar 200mm	200 pieces
53.0029.07.10000	029 wall hanging bracket bar 1000mm	10 pieces
53.0029.07.15000	029 wall hanging bracket bar 1500mm	10 pieces
53.0029.07.20000	029 wall hanging bracket bar 2000mm	10 pieces
53.0029.07.30000	029 wall hanging bracket bar 3000mm	10 pieces

*Finish: zinc.*