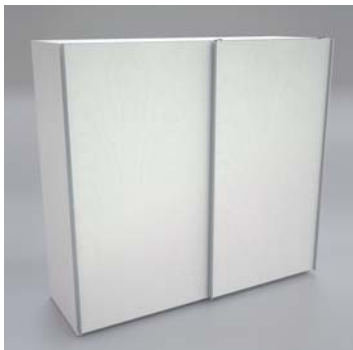
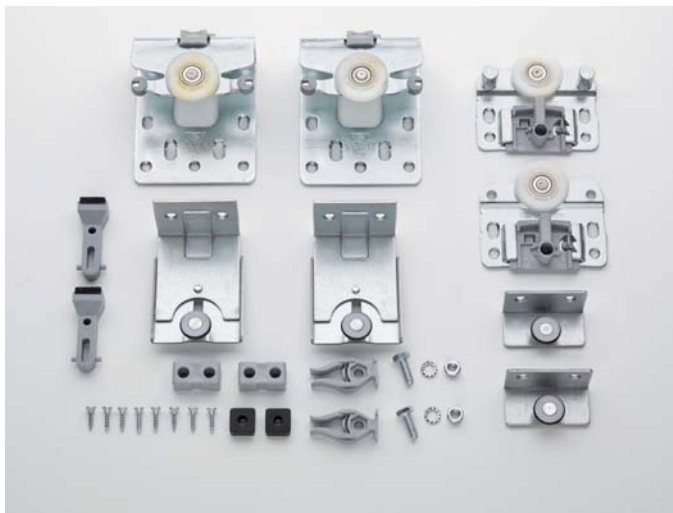


# Domino S2/2 with bar on the front

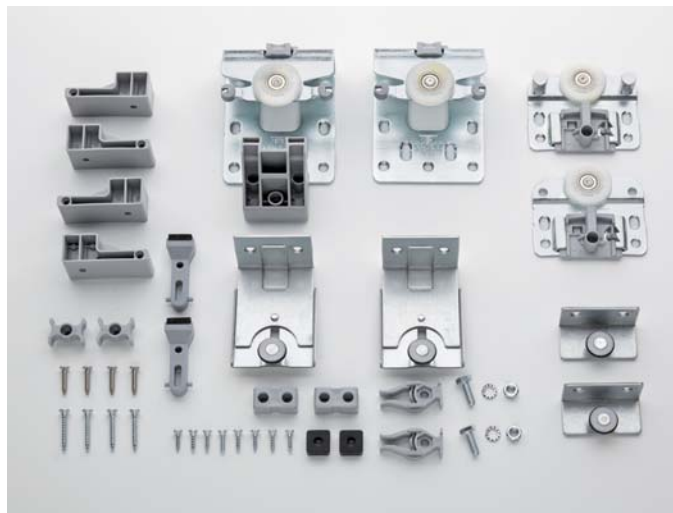


## Technical specifications:

- Solution for 2 sliding doors, lower roller truck version
- Application with bar on the cabinet front
- Integrated safety stops and anti-lift features
- Door weight up to 50kg
- Optional SlowMotion technology for controlled and silent closing (page 35)



Kit Domino S2/2

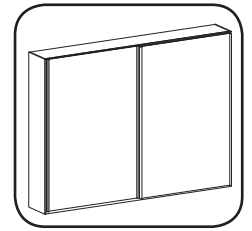


Kit Domino S2/2 SlowMotion

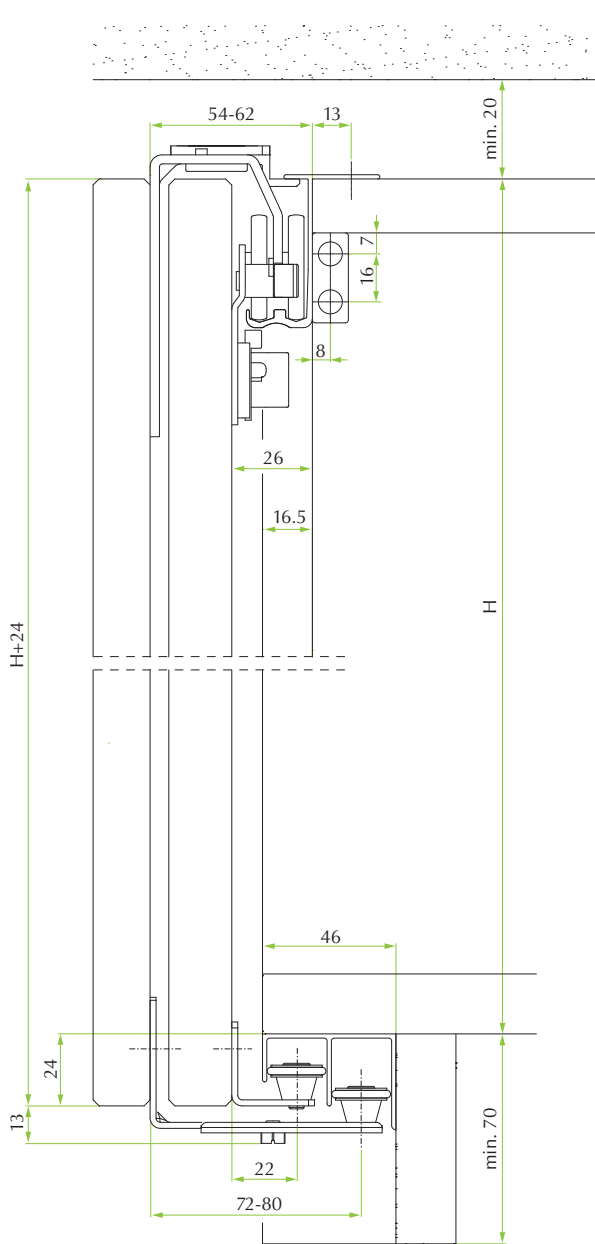
Code	Description	Door thickness (mm)	Packing
59.0DM2.07.S00.0000	Kit Domino S for 2 sliding doors	16 - 21	12 kits
59.0DM2.07.S10.0000	Kit Domino S for 2 sliding doors	22 - 28	12 kits
59.0DM2.07.S00.R000	Kit Domino S for 2 sliding doors retrofit SlowMotion	16 - 21	12 kits
59.0DM2.07.S10.R000	Kit Domino S for 2 sliding doors retrofit SlowMotion	22 - 28	12 kits

For the SlowMotion dampers see page 35.

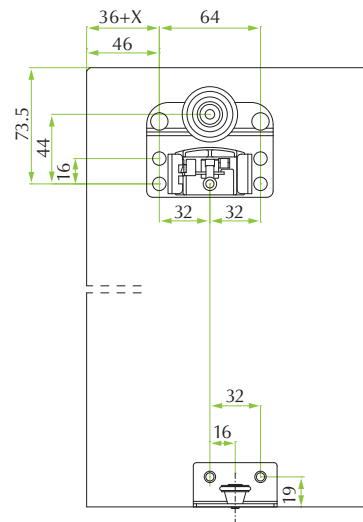




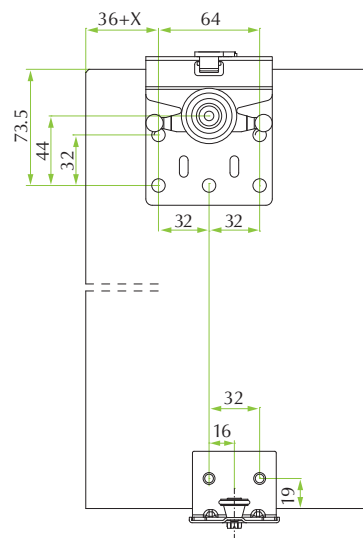
**Applications:**



**Inner door**



**Outer door**



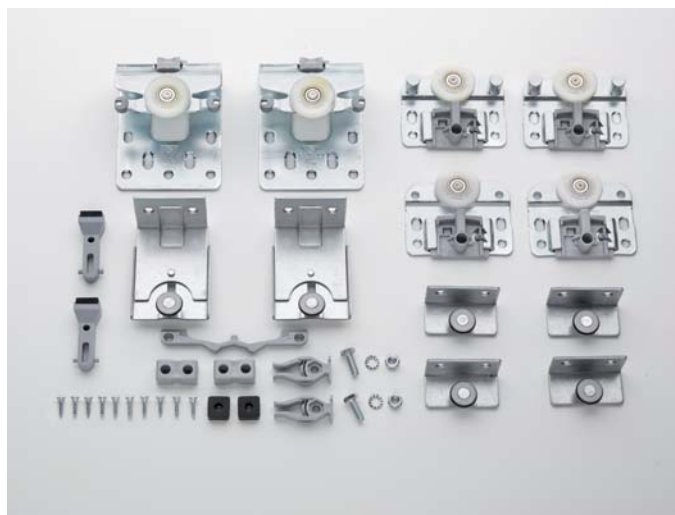
X = DOOR OVERLAY

# Domino S3/3 with bar on the front

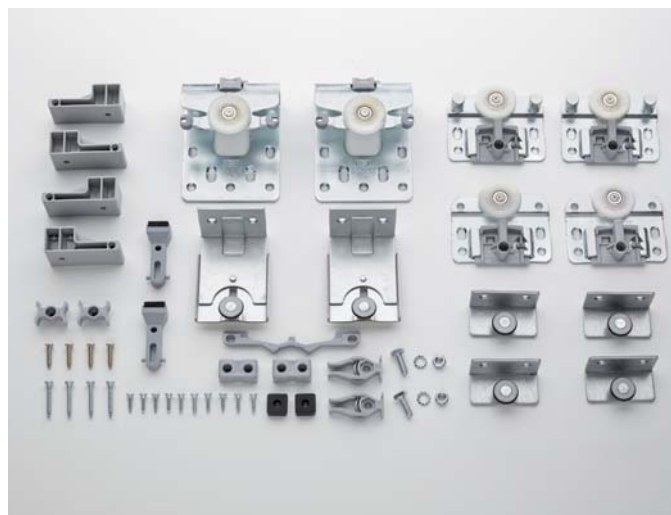


## Technical specifications:

- Solution for 3 sliding doors, lower roller truck version
- Application with bar on the cabinet front
- Integrated safety stops and anti-lift features
- Door weight up to 50kg
- Optional SlowMotion technology for controlled and silent closing (page 35)



Kit Domino S3/3

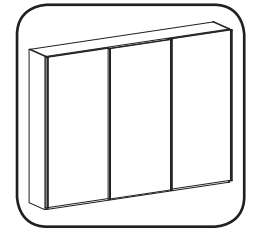


Kit Domino S3/3 SlowMotion

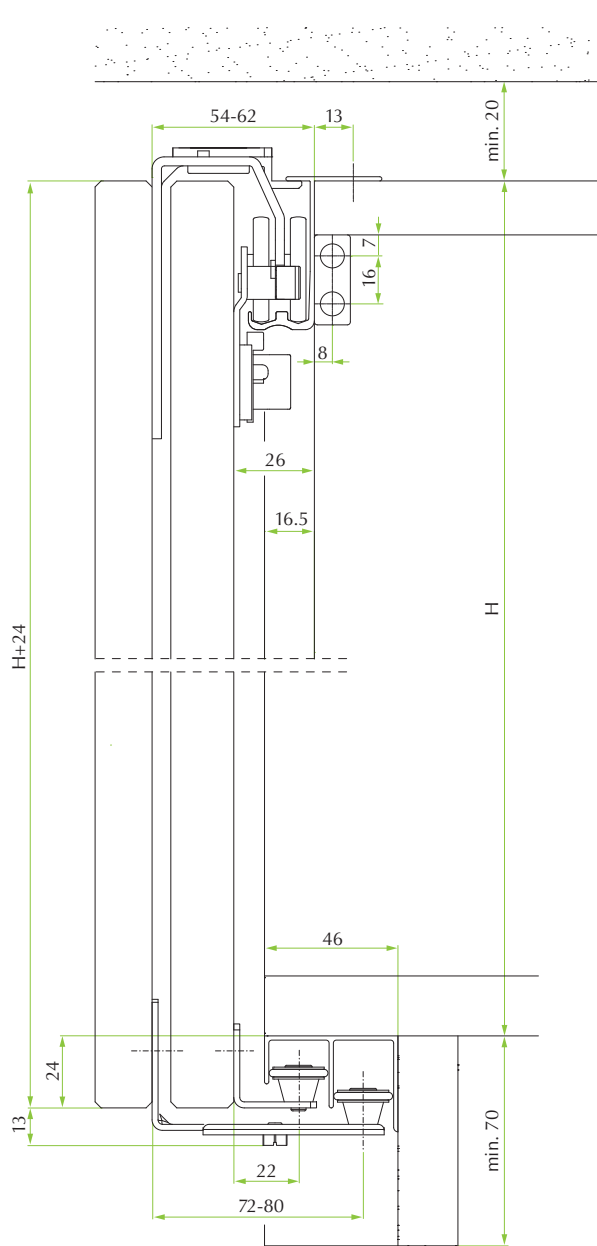
Code	Description	Door thickness (mm)	Packing
59.0DM3.07.S00.0000	Kit Domino S for 3 sliding doors	16 - 21	12 kits
59.0DM3.07.S10.0000	Kit Domino S for 3 sliding doors	22 - 28	12 kits
59.0DM3.07.S00.R000	Kit Domino S for 3 sliding doors retrofit SlowMotion	16 - 21	12 kits
59.0DM3.07.S10.R000	Kit Domino S for 3 sliding doors retrofit SlowMotion	22 - 28	12 kits

For the SlowMotion dampers see page 35.

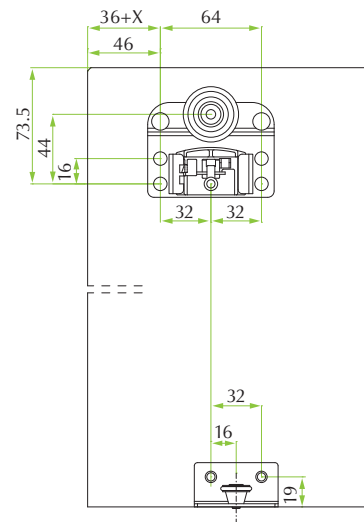




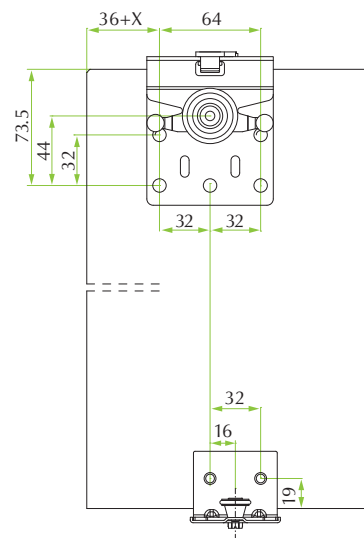
**Applications:**



**Inner door**



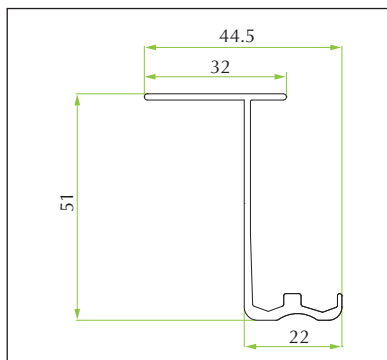
**Outer door**



X = DOOR OVERLAY

# Domino M & S bars

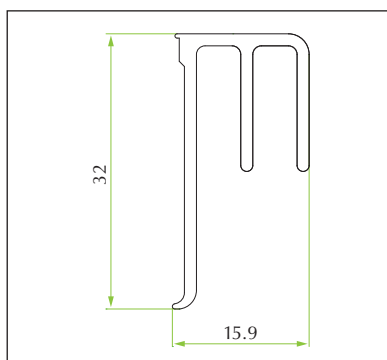
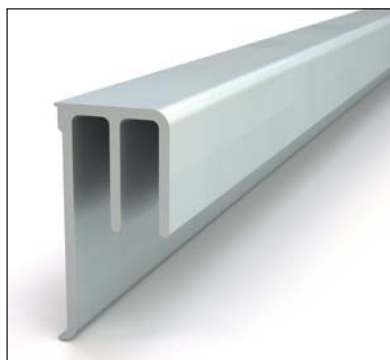
## Top bar for Domino M and S versions. Aluminium top bar, screw fixing.



Code	Finish	Packing
59.0DMB.AA.S.^^.0000	Anodized	12 bars
59.0DMB.OA.S.^^.0000	Raw	12 bars

^^ length: 15 = 1500mm / 20 = 2000mm / 30 = 3000mm

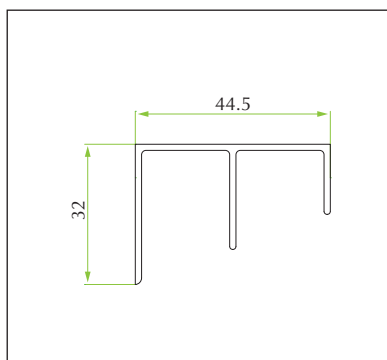
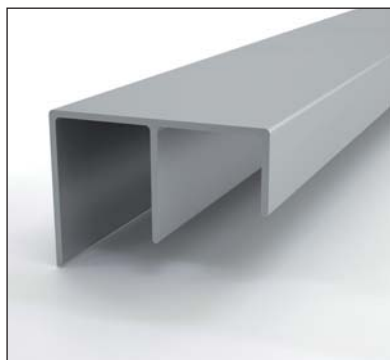
## Bottom bar for Domino M (slider version). Aluminium bottom bar, screw fixing.



Code	Finish	Packing
59.0DMB.AA.I.^^.0000	Anodized	12 bars
59.0DMB.OA.I.^^.0000	Raw	12 bars

^^ length: 15 = 1500mm / 20 = 2000mm / 30 = 3000mm

## Bottom bar for Domino S (roller version). Aluminium bottom bar, screw fixing.



Code	Finish	Packing
59.0DES.AA.I.^^.0000	Anodized	12 bars
59.0DES.OA.I.^^.0000	Raw	12 bars

^^ length: 15 = 1500mm / 20 = 2000mm / 30 = 3000mm

# Domino SlowMotion



## Technical specifications:

- SlowMotion damper for Domino M and S fitted into the top bar
- Complete range according to the door weight
- Optional solutions for central and side doors for soft opening and closing movements

### Side SlowMotion



### Two-way central SlowMotion

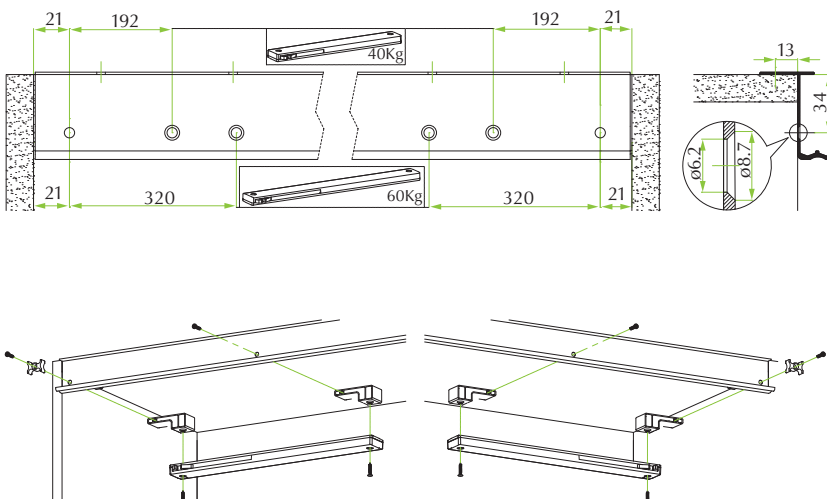


Code	Description	Door weight (kg)	Packing
59.0DMX.06.04000.C2	Kit of 2 SlowMotion dampers for side doors	40	50 kits
59.0DMX.06.06000.C2	Kit of 2 SlowMotion dampers for side doors	60	50 kits
59.0DMX.06.040C0.00	Two-way SlowMotion damper for central door	40	50 pieces

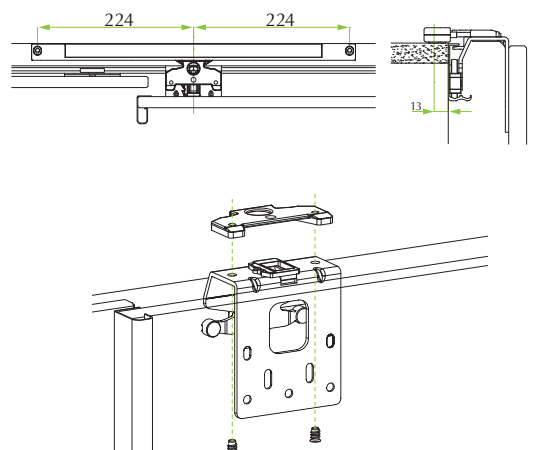
*Dampers to be used with the retrofit Kit Domino SlowMotion.*

## SlowMotion application:

### Side door



### Two-way central door



Values given in mm