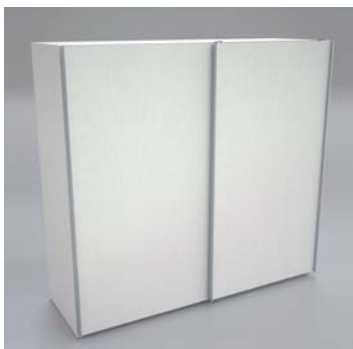
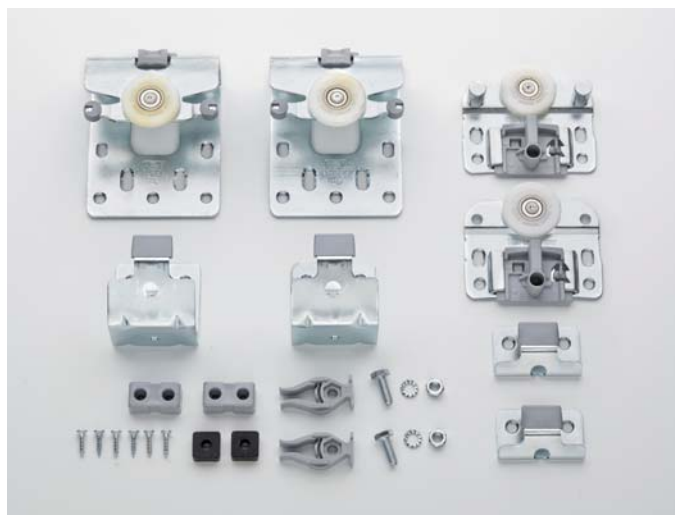


Domino M2/2 with bar on the front

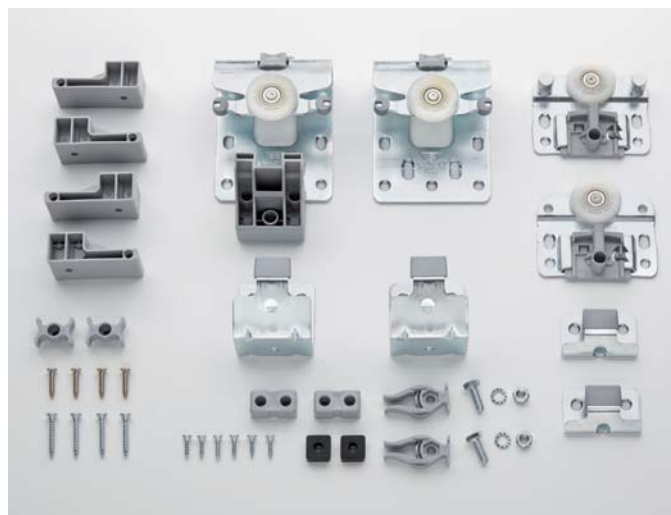


Technical specifications:

- Solution for 2 sliding doors, lower slider version
- Application with bar on the cabinet front
- Integrated safety stops and anti-lift features
- For door weight up to 50kg
- Easy and rapid assembling with optional EasyFix door brackets
- Optional SlowMotion technology for controlled and silent closing (page 35)



Kit Domino M2/2



Kit Domino M2/2 SlowMotion

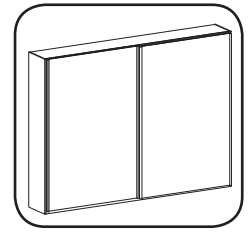
Code	Description	Door thickness (mm)	Packing
59.0DM2.07.000.0000	Kit Domino M for 2 sliding doors	16 - 21	12 kits
59.0DM2.07.010.0000	Kit Domino M for 2 sliding doors	22 - 28	12 kits
59.0DM2.07.000.R000	Kit Domino M for 2 sliding doors retrofit SlowMotion	16 - 21	12 kits
59.0DM2.07.010.R000	Kit Domino M for 2 sliding doors retrofit SlowMotion	22 - 28	12 kits

For the SlowMotion dampers see page 35.

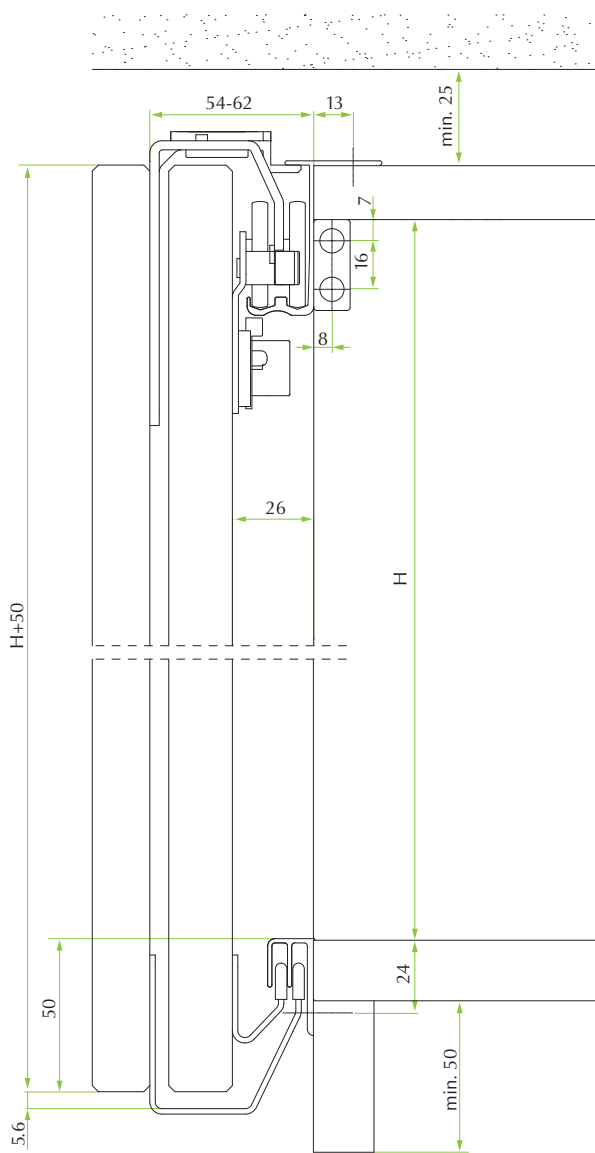
Code	Description	Packing
59.0DMA.06.0000000	EasyFix bracket for an easy fixing of the lower slider	84 pieces

Made in grey plastic RAL 7042.

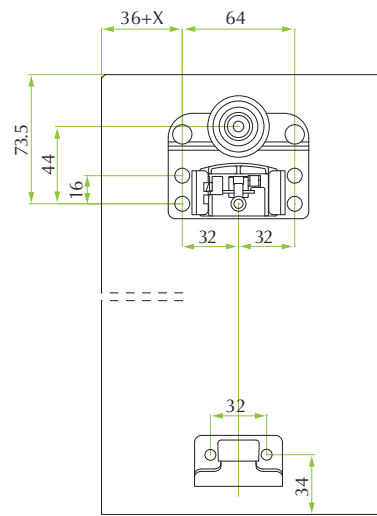




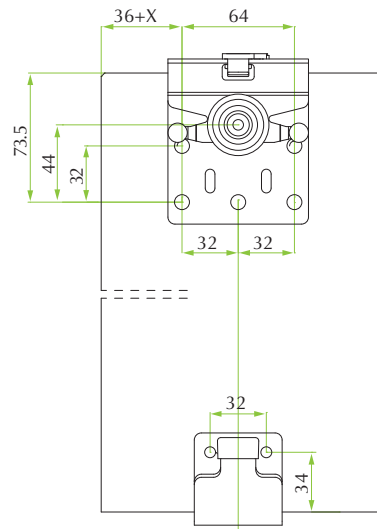
Applications:



Inner door



Outer door



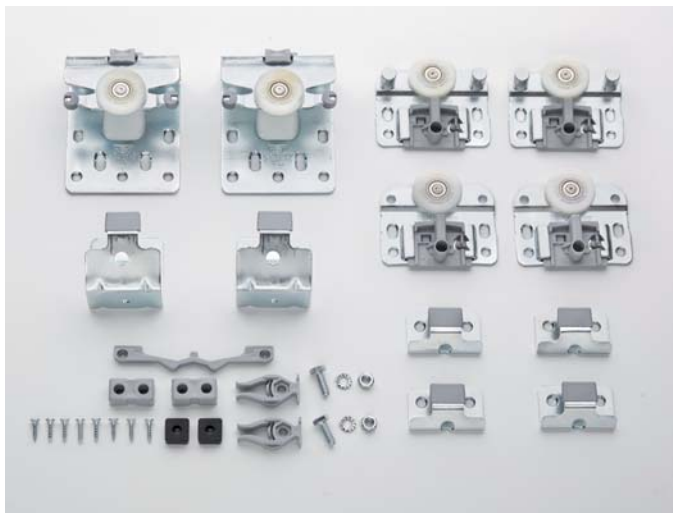
X = DOOR OVERLAY

Domino M3/3 with bar on the front

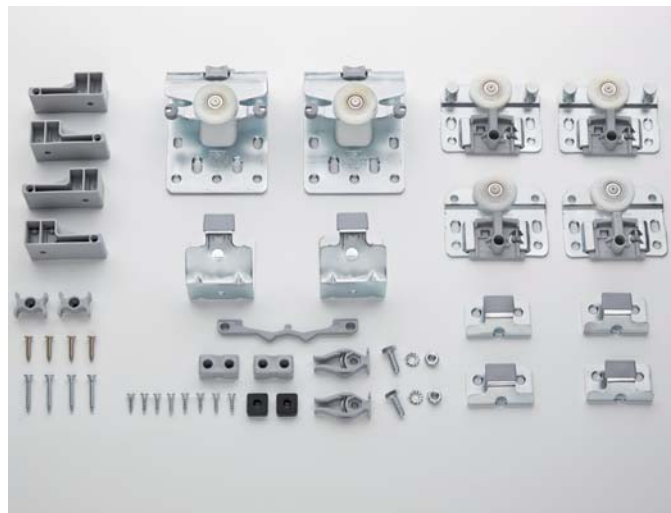


Technical specifications:

- Solution for 3 sliding doors, lower slider version
- Application with bar on the cabinet front
- Integrated safety stops and anti-lift features
- Door weight up to 50kg
- Easy and rapid assembling with optional EasyFix door brackets
- Optional SlowMotion technology for controlled and silent closing (page 35)



Kit Domino M3/3



Kit Domino M3/3 SlowMotion

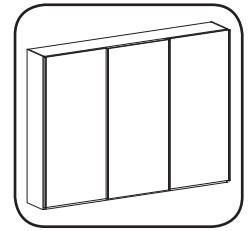
Code	Description	Door thickness (mm)	Packing
59.0DM3.07.000.0000	Kit Domino M for 3 sliding doors	16 - 21	12 kits
59.0DM3.07.010.0000	Kit Domino M for 3 sliding doors	22 - 28	12 kits
59.0DM3.07.000.R000	Kit Domino M for 3 sliding doors retrofit SlowMotion	16 - 21	12 kits
59.0DM3.07.010.R000	Kit Domino M for 3 sliding doors retrofit SlowMotion	22 - 28	12 kits

For the SlowMotion dampers see page 35.

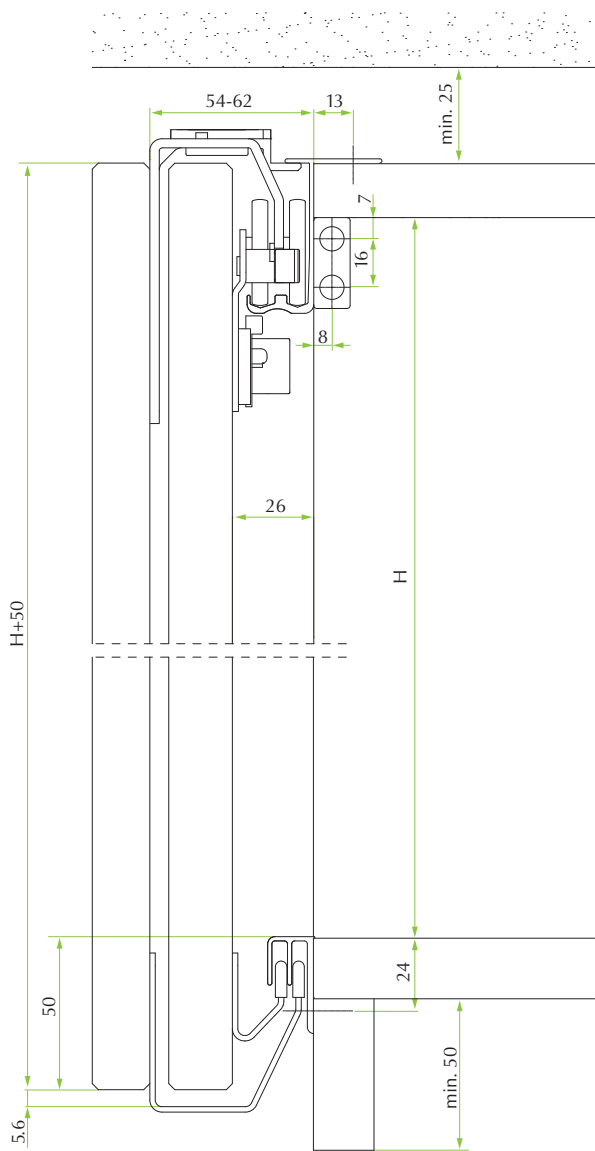
Code	Description	Packing
59.0DMA.06.0000000	EasyFix bracket for an easy fixing of the lower slider	84 pieces

Made in grey plastic RAL 7042.

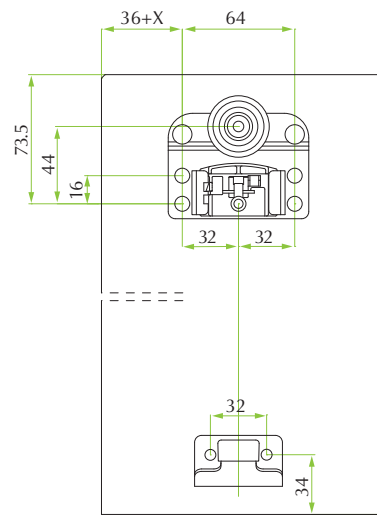




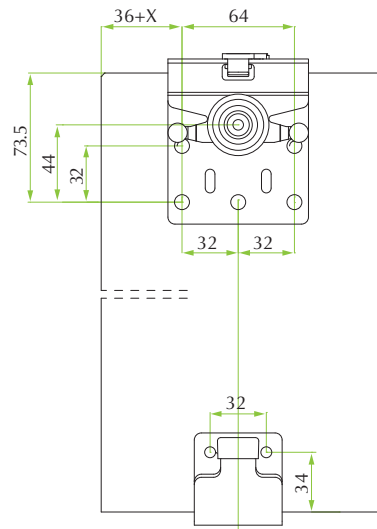
Applications:



Inner door



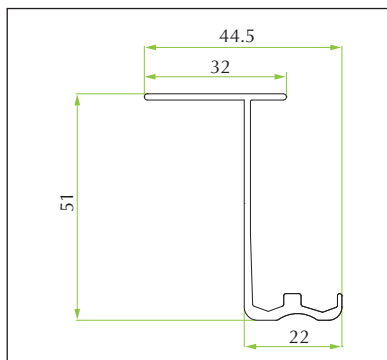
Outer door



X = DOOR OVERLAY

Domino M & S bars

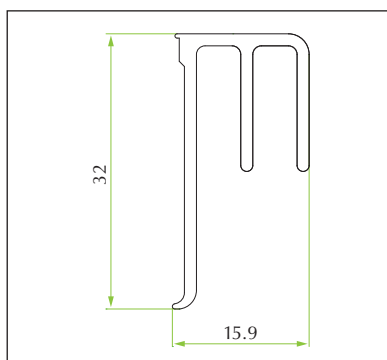
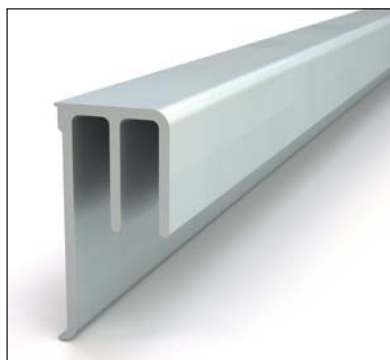
Top bar for Domino M and S versions. Aluminium top bar, screw fixing.



Code	Finish	Packing
59.0DMB.AA.S.^^.0000	Anodized	12 bars
59.0DMB.OA.S.^^.0000	Raw	12 bars

^^ length: 15 = 1500mm / 20 = 2000mm / 30 = 3000mm

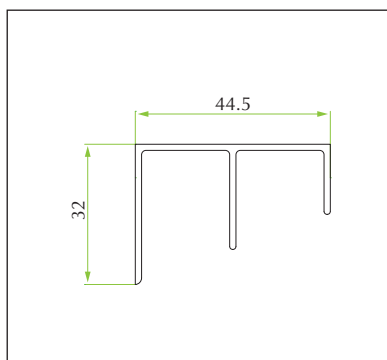
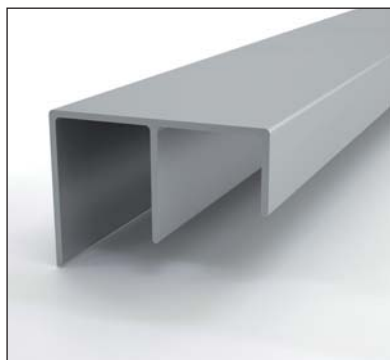
Bottom bar for Domino M (slider version). Aluminium bottom bar, screw fixing.



Code	Finish	Packing
59.0DMB.AA.I.^^.0000	Anodized	12 bars
59.0DMB.OA.I.^^.0000	Raw	12 bars

^^ length: 15 = 1500mm / 20 = 2000mm / 30 = 3000mm

Bottom bar for Domino S (roller version). Aluminium bottom bar, screw fixing.



Code	Finish	Packing
59.0DES.AA.I.^^.0000	Anodized	12 bars
59.0DES.OA.I.^^.0000	Raw	12 bars

^^ length: 15 = 1500mm / 20 = 2000mm / 30 = 3000mm

Domino SlowMotion



Technical specifications:

- SlowMotion damper for Domino M and S fitted into the top bar
- Complete range according to the door weight
- Optional solutions for central and side doors for soft opening and closing movements

Side SlowMotion



Two-way central SlowMotion

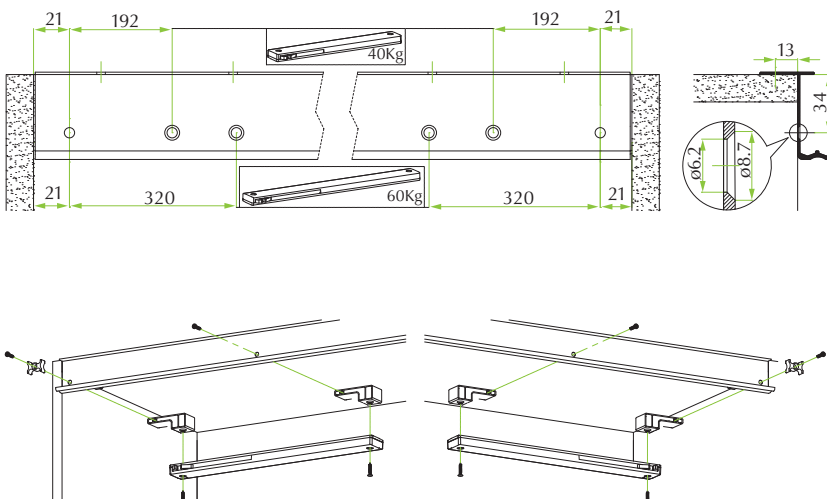


Code	Description	Door weight (kg)	Packing
59.0DMX.06.04000.C2	Kit of 2 SlowMotion dampers for side doors	40	50 kits
59.0DMX.06.06000.C2	Kit of 2 SlowMotion dampers for side doors	60	50 kits
59.0DMX.06.040C0.00	Two-way SlowMotion damper for central door	40	50 pieces

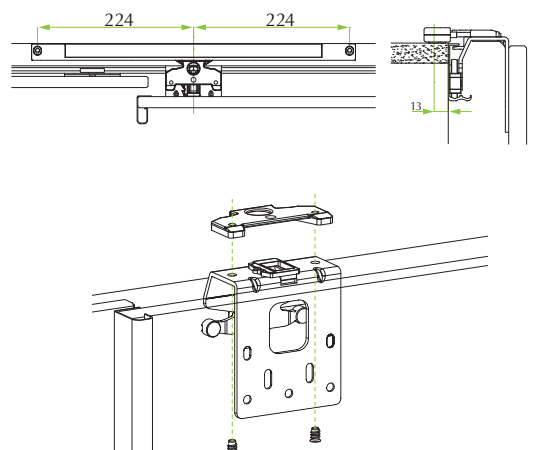
Dampers to be used with the retrofit Kit Domino SlowMotion.

SlowMotion application:

Side door



Two-way central door



Values given in mm