



## *A perfect machine*

A proven mechanism perfected over time, guaranteeing highest performance and maximum reliability: qualities fully appreciated even after several years from installation.

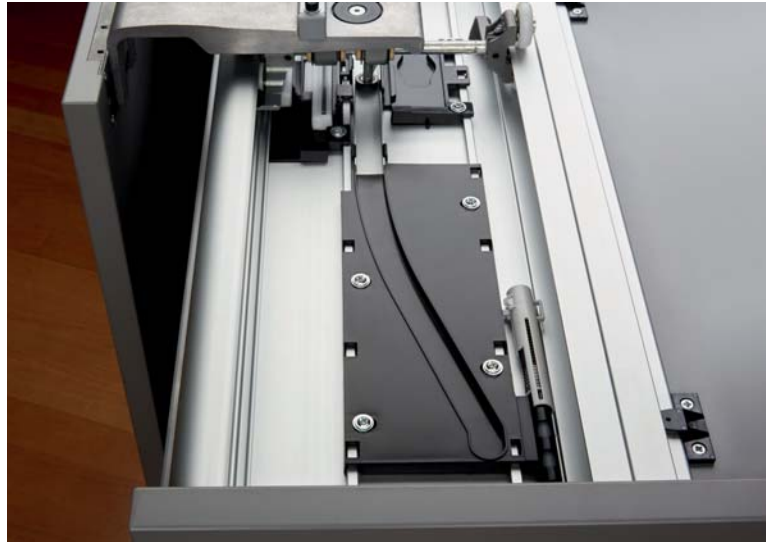
## *Installation with a click*

The EasyFix system allows, through a simple mounting clip, very simple and quick installation of the product that is sold and delivered according to the customer's wardrobe dimensions.



## *The most silent ever*

Superior smoothness and high silent sliding compared to the other products in the market. Performance guaranteed by high-quality materials and advanced technical solutions covered by patents.



## *Closing as you like it*

For any door it is possible to have the effect required thanks to the complete adjustment of the closing speed. The integrated damped technology guarantees the right effectiveness and the proper functioning.



# Domino Coplanar L17



## Technical specifications:

- Sliding system for 2 aligned coplanar doors, 17mm of baseboard
- Designed and supplied according to the customer's wardrobe dimensions
- In anodized aluminium extrusion 14µm, alloy 6060 with Made in Europe certification
- +/- 3mm horizontal and +/- 4mm vertical adjustments
- Sliding system with soft opening and closing movements
- Door size: length from 900 to 2000 mm, thickness from 18 to 50 mm and weight from 25 to 101 kg
- Patented system of EasyFix clips and hooks for an easier positioning of the mechanism



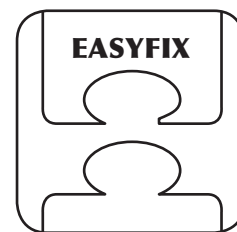
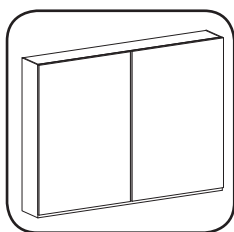
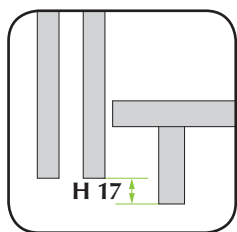
Kit Domino L17

Code	Description	Cabinet dimensions (mm)	Packing
59.0DL1.AA.1800.000	Kit Domino L17 coplanar doors	1800	1 kit
59.0DL1.AA.2000.000	Kit Domino L17 coplanar doors	2000	1 kit
59.0DL1.AA.2200.000	Kit Domino L17 coplanar doors	2200	1 kit
59.0DL1.AA.2400.000	Kit Domino L17 coplanar doors	2400	1 kit
59.0DL1.AA.2600.000	Kit Domino L17 coplanar doors	2600	1 kit
59.0DL1.AA.2800.000	Kit Domino L17 coplanar doors	2800	1 kit
59.0DL1.AA.3000.000	Kit Domino L17 coplanar doors	3000	1 kit
59.0DL1.AA.3200.000	Kit Domino L17 coplanar doors	3200	1 kit
59.0DL1.AA.3400.000	Kit Domino L17 coplanar doors	3400	1 kit
59.0DL1.AA.3600.000	Kit Domino L17 coplanar doors	3600	1 kit
59.0DL1.AA.3800.000	Kit Domino L17 coplanar doors	3800	1 kit
59.0DL1.AA.4000.000	Kit Domino L17 coplanar doors	4000	1 kit

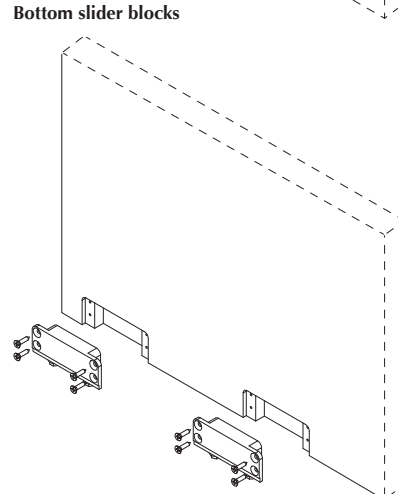
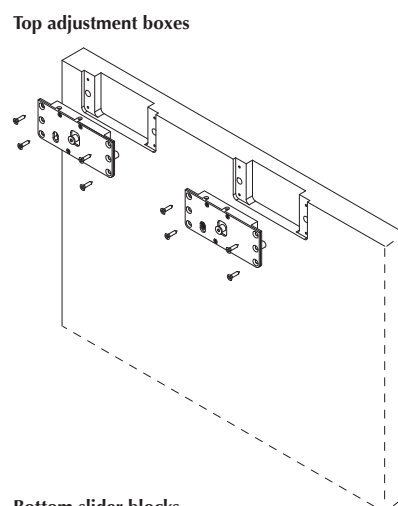
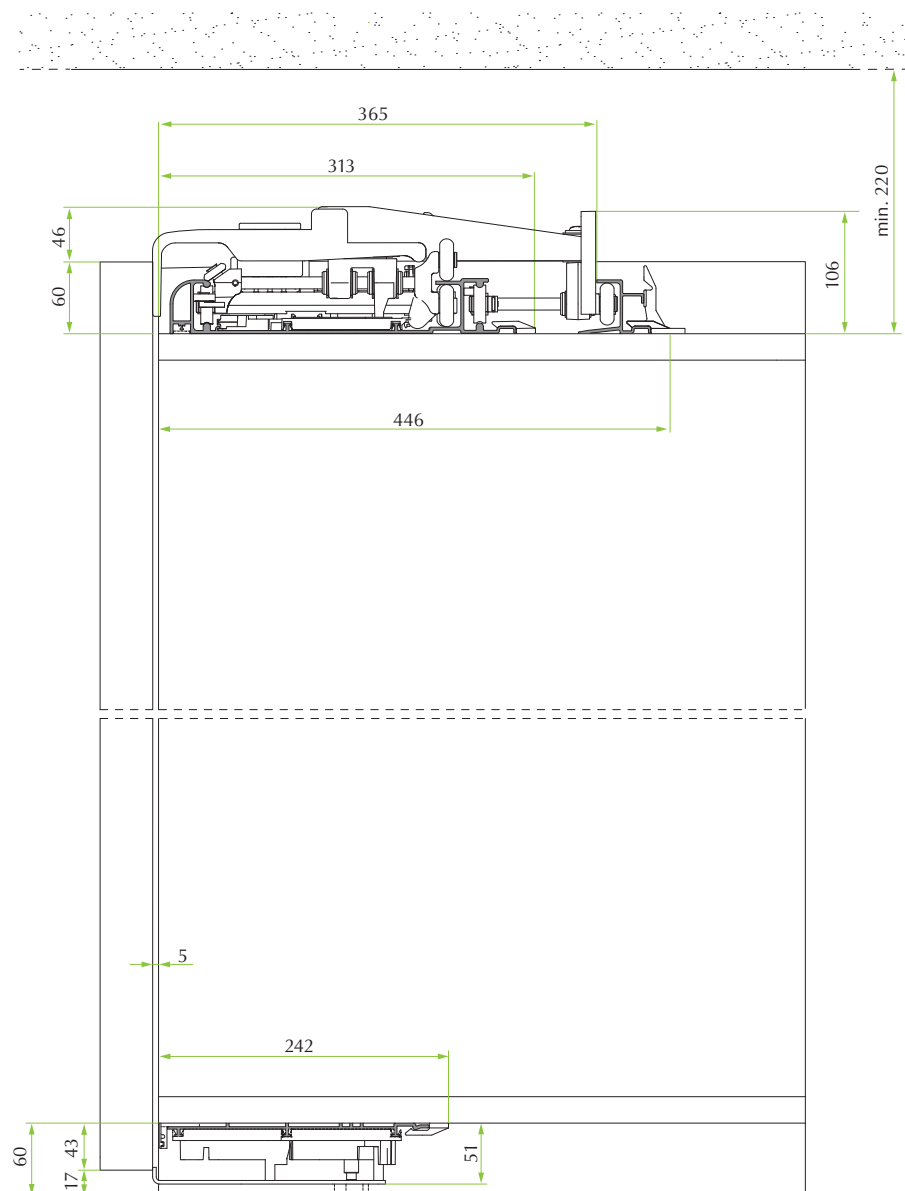
Kit Domino L17, for wardrobe with 2 doors, consisting of:

- mechanisms and trucks for 2 damped doors
- top and bottom bars
- fittings
- instruction sheet





**Application:**



For the identification of the right product please contact FGV sales staff.



# Domino Coplanar L33



## Technical specifications:

- Sliding system for 2 aligned coplanar doors, 33mm of baseboard
- Designed and supplied according to the customer's wardrobe dimensions
- In anodized aluminium extrusion 14µm, alloy 6060 with Made in Europe certification
- +/- 3mm horizontal and +/- 4mm vertical adjustments
- Sliding system with soft opening and closing movements
- Door size: length from 900 to 2000 mm, thickness from 18 to 50 mm and weight from 25 to 101 kg
- Patented system of EasyFix clips and hooks for an easier positioning of the mechanism



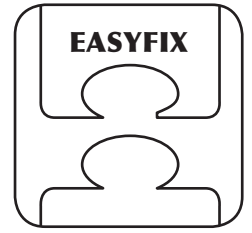
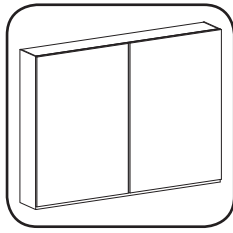
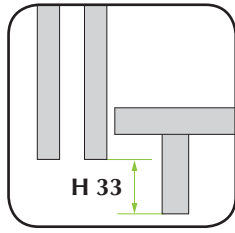
Kit Domino L33

Code	Description	Cabinet dimensions (mm)	Packing
59.0DL3.AA.1800.000	Kit Domino L33 coplanar doors	1800	1 kit
59.0DL3.AA.2000.000	Kit Domino L33 coplanar doors	2000	1 kit
59.0DL3.AA.2200.000	Kit Domino L33 coplanar doors	2200	1 kit
59.0DL3.AA.2400.000	Kit Domino L33 coplanar doors	2400	1 kit
59.0DL3.AA.2600.000	Kit Domino L33 coplanar doors	2600	1 kit
59.0DL3.AA.2800.000	Kit Domino L33 coplanar doors	2800	1 kit
59.0DL3.AA.3000.000	Kit Domino L33 coplanar doors	3000	1 kit
59.0DL3.AA.3200.000	Kit Domino L33 coplanar doors	3200	1 kit
59.0DL3.AA.3400.000	Kit Domino L33 coplanar doors	3400	1 kit
59.0DL3.AA.3600.000	Kit Domino L33 coplanar doors	3600	1 kit
59.0DL3.AA.3800.000	Kit Domino L33 coplanar doors	3800	1 kit
59.0DL3.AA.4000.000	Kit Domino L33 coplanar doors	4000	1 kit

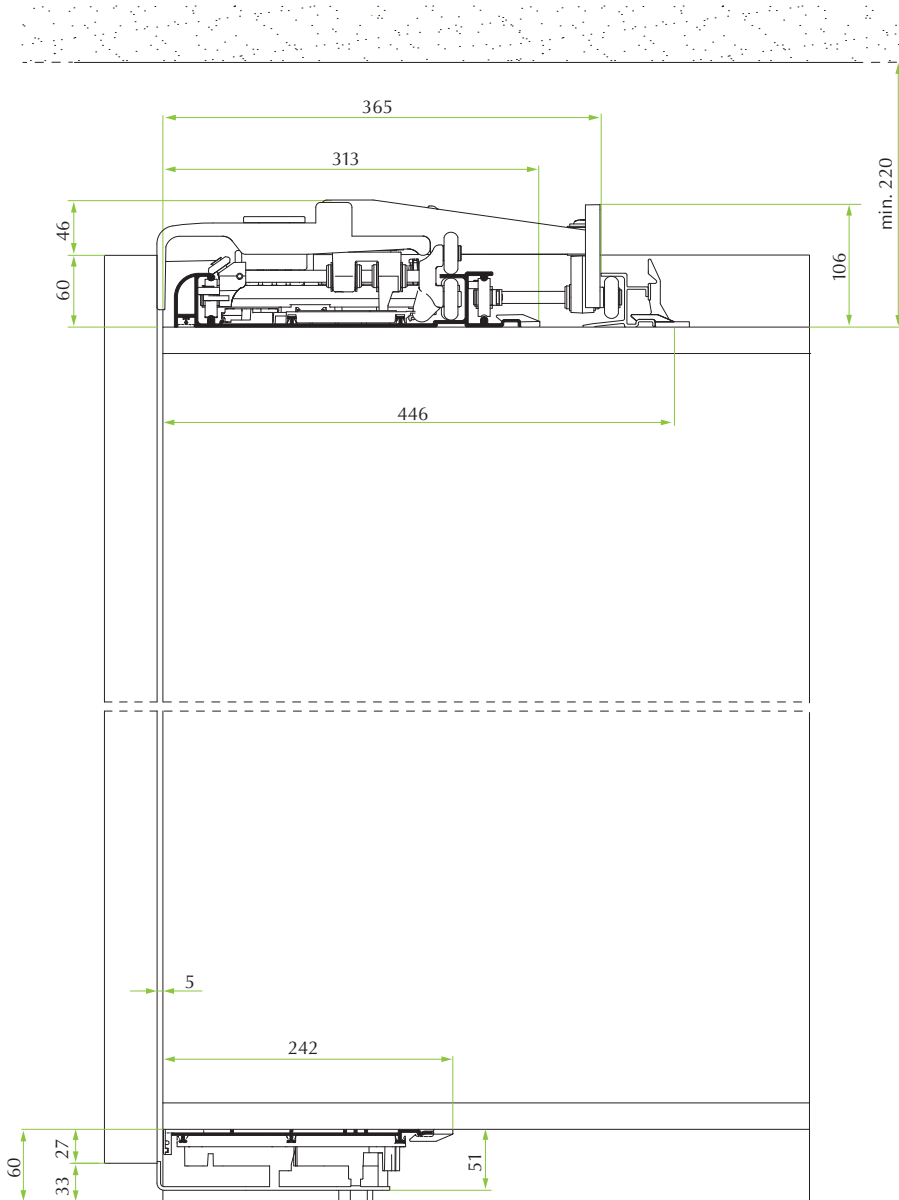
Kit Domino L33 for wardrobe with 2 doors, consisting of:

- mechanisms and trucks for 2 damped doors
- top and bottom bars
- fittings
- instruction sheet

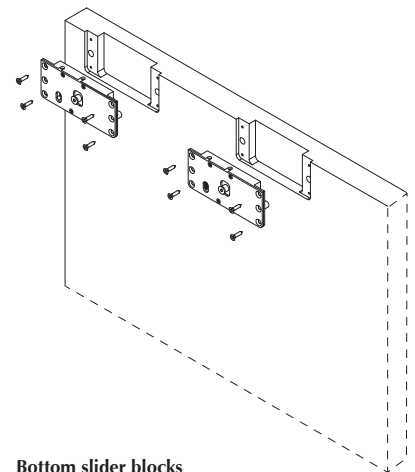




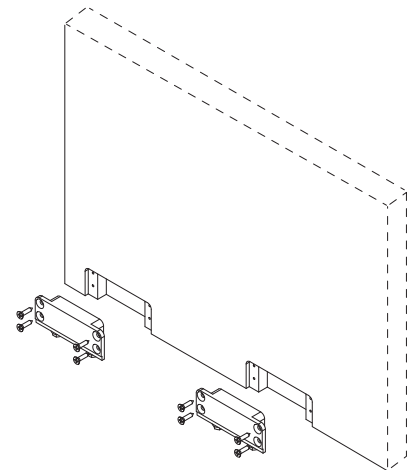
**Application:**



**Top adjustment boxes**



**Bottom slider blocks**



For the identification of the right product please contact FGV sales staff.