

SlowMotion Alfa



*The retrofit
solution*

FGV

FORMENTI &
GIOVENZANA

SlowMotion Alfa



Technical specifications:

- SlowMotion Alfa device for controlled closing door system
- Add-on application for Optima Click and MS Slide-On hinge series with crank 0/8/15 and angles
- Easy assembling with a clip, no tools required
- Damper strength adjustable to control different door sizes and heights
- With standard door only one SlowMotion Alfa device required

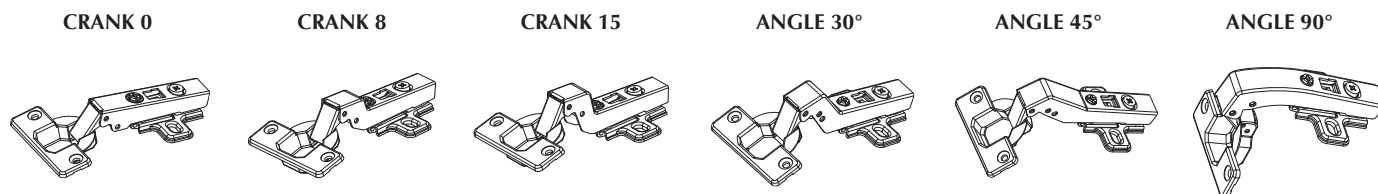
SLOWMOTION ALFA DAMPER



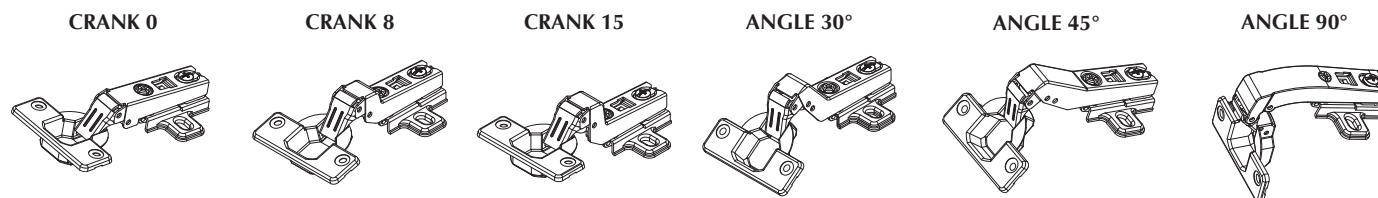
Code	Description	Packing
59.0620.05.000A000	SlowMotion Alfa	125 pieces

Application with:

OPTIMA CLICK



MS SLIDE-ON

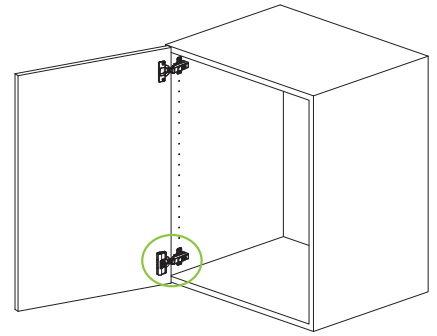


To allow the ALFA device assembling, the hinge box needs to be adapted. The codes of the related compatible hinges is identified with the letter "A" in 12th position. (Example: 51XSH505000A000)

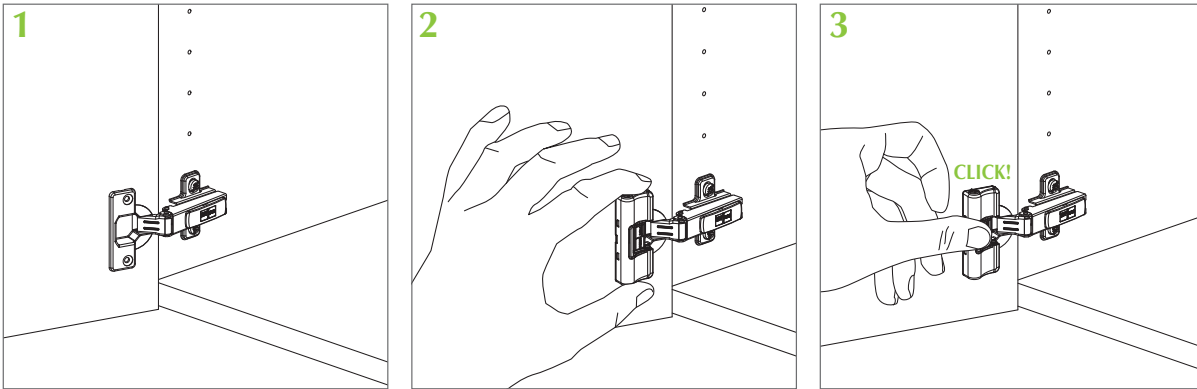
ALFA device not compatible with Centra fixing system and with aluminium profiles solutions.

Ideal assembly:

The SlowMotion Alfa damper must be preferably fitted on the bottom hinge.



Assembly:



Alfa Video

Table to determinate the number of the add-on needed according to the dimension and the weight of the door.

Door dimensions			Door weight	Number of hinges	
Width	Height	Thickness		SlowMotion Alfa	Standard
450	600	18	3.0 kg	1	1
350	700	18	3.1 kg	1	1
400	700	18	3.6 kg	1	1
450	700	18	4.1 kg	1	1
500	700	18	4.5 kg	1	1
600	700	18	5.4 kg	1	1
400	1200	18	6.2 kg	1-2	1-2
450	1200	18	7.2 kg	1-2	1-2
500	1200	18	7.8 kg	1-2	1-2
600	1200	18	9.3 kg	2	1
400	2100	18	10.9 kg	2	2
450	2100	18	12.3 kg	2	2


FORMENTI & GIOVENZANA S.p.A.

Via Concordia, 16
 20837 Veduggio con Colzano (MB) - ITALY
 Tel. +39 0362 947.1 r.a. - Fax +39 0362 998788
 info@fgv.it
 www.fgv.it

FGV SLOVAKIA, Spol s r.o.

Partizánska cesta 73, P.O.BOX 87
 957 01 Bánovce nad Bebravou - SLOVAKIA
 Tel. +421 (0) 38 7626 100 - Fax +421 (0) 38 7626 105
 info@fgv.sk

FGVTN BRASIL LTDA.

Rua Francisco Derosso, 1352
 Curitiba Paraná 81710 000 - BRASIL
 Tel. +55 41 2107 4411 - Fax +55 41 3275 3038
 fgvtn@fgvtnbrasil.com.br - www.fgvtnbrasil.com.br

FGV ASIA Limited

Unit 1602, 16/F., Metropolis Tower
 10 Metropolis Drive, Hunghom,
 Kowloon, Hong Kong - P.R.CHINA
 Tel. +852 2762 1534 - Fax +852 2648 7389
 info@fgvasia.com - www.fgvasia.com

FGV (Guangzhou) Company Limited

Units 2710-2711, Yang Cheng International Trading Centre
 East Tower, Ti Yu Dong Lu, No. 122
 Guangzhou - P R CHINA
 Tel. +86 20 38870570 - Fax +86 20 38870323
 info@fgvchina.com - www.fgvchina.com

DEUTSCHE FGV Formenti & Giovenzana Möbelbeschläge GmbH

Industriestr. 44
 D-33397 Rietberg - GERMANY
 Tel. +49 (0) 5244-9708-0 - Fax +49 (0) 5244-9708-15
 www.fgvgermany.com

FORMENTI & GIOVENZANA POLSKA Sp. z o.o.

Ul. Boleslawiecka 8a
 98-400 Wieruszów - POLAND
 Tel. +48 62 58 10 400 - Fax +48 62 58 10 480
 www.fgvpolaska.pl

FGV UKRAINE TOB

Вул. Черновола 39
 08132 Вишневе, Київська обл., Україна
 Тел. +38 044 333 56 23
 Факс +38 044 333 56 24
 info@fgv.kiev.ua

FGV SERVICE VENETO S.r.l.

Via Pietro Bassani, 12
 33170 Pordenone (PN) - ITALY
 Tel. +39 0434 572728
 infoveneto@fgvservice.com

FGV SERVICE CENTRO-SUD

Via Massimo d'Antona, 6i
 60033 Chiaravalle (AN) - ITALY
 Tel. +39 071 7451125 - Fax +39 071 7496441
 infocentrosud@fgvservice.com