



Technical specifications:

- Upwards assisted lifter
- Covers 85°, 90° and 95° angles
- 32 mm standard cabinet drilling
- Assisted opening
- Possible to combine with OneTouch mechanism for handleless application

SINGLE KIT

| Code | Description | Force | Packing |
|---------------------|----------------------------|-------|------------------|
| 59.5K10.06.040.3000 | Kit AeroLift - up solution | 40N | 100 kits per box |
| 59.5K10.06.060.3000 | Kit AeroLift - up solution | 60N | 100 kits per box |
| 59.5K10.06.080.3000 | Kit AeroLift - up solution | 80N | 100 kits per box |
| 59.5K10.06.100.3000 | Kit AeroLift - up solution | 100N | 100 kits per box |
| 59.5K10.06.120.3000 | Kit AeroLift - up solution | 120N | 100 kits per box |

Packed in a kit, consists of:

- 1 gas spring AeroLift up solution
- 1 bracket for cabinet
- 1 bracket for wooden door
- 1 bracket for aluminium frame
- 5 selftapping screws Ø3.5x15 mm
- 2 flathead selftapping screws Ø3.5x15 mm
- Assembly instructions

INDUSTRIAL PACKING

| Code | Description | Force | Packing |
|---------------------|--|-------|------------------|
| 59.5100.06.040.3010 | Gas spring AeroLift - up solution | 40N | 1000 pcs per box |
| 59.5100.06.060.3010 | Gas spring AeroLift - up solution | 60N | 1000 pcs per box |
| 59.5100.06.080.3010 | Gas spring AeroLift - up solution | 80N | 1000 pcs per box |
| 59.5100.06.100.3010 | Gas spring AeroLift - up solution | 100N | 1000 pcs per box |
| 59.5100.06.120.3010 | Gas spring AeroLift - up solution | 120N | 1000 pcs per box |
| 59.5ASP.05.000.00 | Bracket for cabinet without dowels | – | 1000 pcs per box |
| 59.5ASP.05.000.0A | Bracket for cabinet with dowels | – | 1000 pcs per box |
| 59.5ALP.05.000.00 | Bracket for wooden door | – | 1000 pcs per box |
| 59.5AAP.05.000.00 | Bracket for aluminium frame | – | 1000 pcs per box |
| 59.5AAP.05.000.0A | Bracket for aluminium frame with Euro screws | – | 1000 pcs per box |



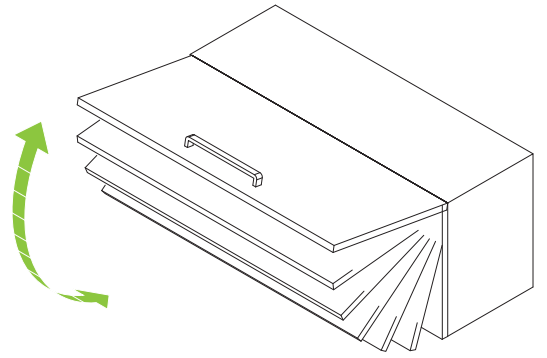
Bracket for cabinet



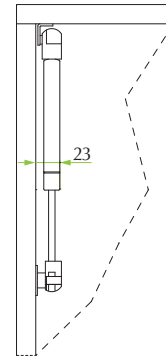
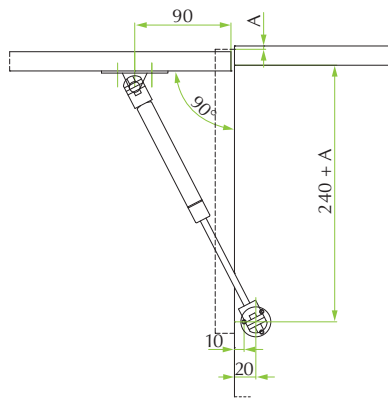
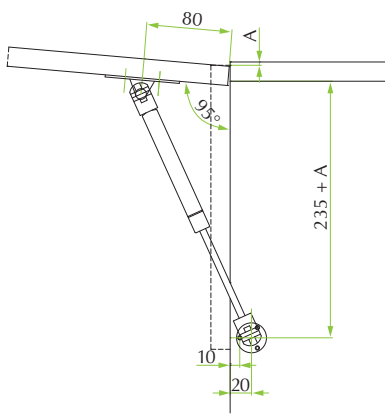
Bracket for wooden door



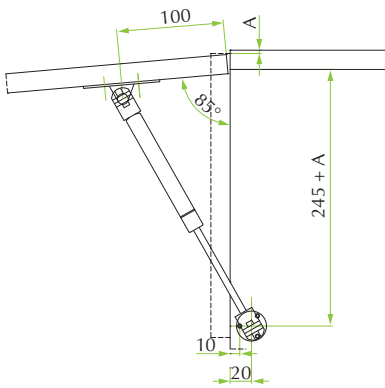
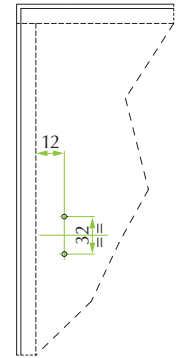
Bracket for door with frame



Up solution application:



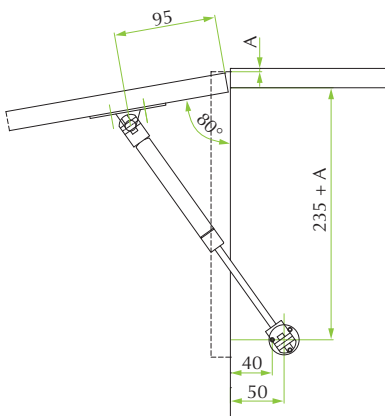
Door fixing



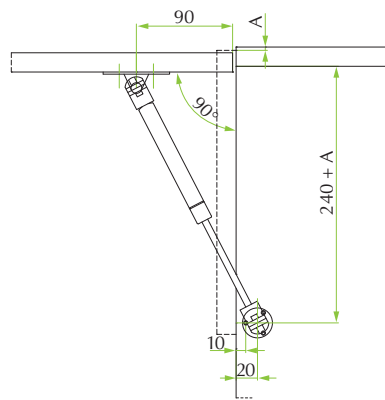
| A | X | Y |
|------|-----|-----|
| <90° | 100 | 245 |
| 90° | 90 | 240 |
| >90° | 80 | 235 |

OneTouch application:

With magnet and push hinges



With long version and standard hinges



Technical details about OneTouch devices are shown from page 144 to page 147.